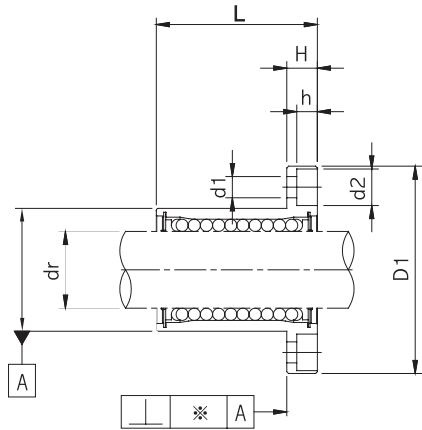


LMF/K/H Series

Flange Type



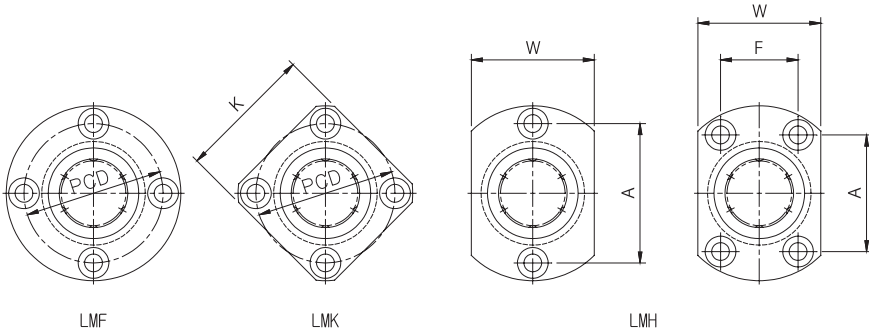
Unit : mm

| Part No. | | No. of Ball circuit | Wgt.* (gr) | Allowable Diametral Clearance (μm) | Basic Load Ratings | | Working Bore Diameter | | |
|---------------|-------------|---------------------|------------|---|--------------------|------------|--------------------------|---------|------------------------|
| Circular type | Square type | | | | Oval type | Dyn. C (N) | Stat. C ₀ (N) | dr (mm) | Tol. (μm) |
| LMF 6UU | LMK 6UU | - | 4 | 26.5 | - 5 | 200 | 260 | 6 | - 9 |
| LMF8SUU | LMK8SUU | - | 4 | 34.0 | - 5 | 170 | 220 | 8 | |
| LMF 8UU | LMK 8UU | - | 4 | 40.0 | - 5 | 260 | 400 | 8 | |
| LMF10UU | LMK10UU | LMH10UU | 4 | 78.0 | - 5 | 370 | 540 | 10 | |
| LMF12UU | LMK12UU | LMH12UU | 4 | 76.0 | - 5 | 410 | 590 | 12 | |
| LMF13UU | LMK13UU | LMH13UU | 4 | 94.0 | - 7 | 500 | 770 | 13 | |
| LMF16UU | LMK16UU | LMH16UU | 5 | 134.0 | - 7 | 770 | 1170 | 16 | - 10 |
| LMF20UU | LMK20UU | LMH20UU | 5 | 180.0 | - 9 | 860 | 1370 | 20 | |
| LMF25UU | LMK25UU | LMH25UU | 6 | 340.0 | - 9 | 980 | 1560 | 25 | |
| LMF30UU | LMK30UU | LMH30UU | 6 | 460.0 | - 9 | 1560 | 2740 | 30 | - 12 |
| LMF35UU | LMK35UU | - | 6 | 795.0 | -13 | 1660 | 3130 | 35 | |
| LMF40UU | LMK40UU | - | 6 | 1054.0 | -13 | 2150 | 4010 | 40 | |
| LMF50UU | LMK50UU | - | 6 | 2200.0 | -13 | 3820 | 7930 | 50 | - 15 |
| LMF60UU | LMK60UU | - | 6 | 2960.0 | -16 | 4700 | 9990 | 60 | |

Note) Plating and Raydent treatment are available

1N \approx 0.102kgf

* The value of Circular type



Unit : mm

| Dimensions (mm) | | | | | | | | | | | | | Part No. | | |
|-----------------|------------|------|-----------|------|-----------|-----|-----|----|----|----|----|--------------|-------------|-------------------------------------|-------------|
| D | Tol. | L | | B | | H | PCD | K | W | A | F | ※ | | d ₁ x d ₂ x h | |
| (mm) | (μ m) | (mm) | Tol. (mm) | (mm) | Tol. (mm) | | | | | | | (μ m) | | | |
| 12 | | 19 | 0 | 28 | -0.2 | 5 | 20 | 22 | - | - | - | 12 | 3,4×6,5×3,3 | LMF/K/H6UU | |
| 15 | 0 | 17 | | 32 | | 5 | 24 | 25 | - | - | - | - | 12 | 3,4×6,5×3,3 | LMF/K/H8SUU |
| 15 | -11 | 24 | | 32 | | 5 | 24 | 25 | - | - | - | - | 12 | 3,4×6,5×3,3 | LMF/K/H8UU |
| 19 | | 29 | | 40 | | 6 | 29 | 30 | 25 | 29 | - | - | 12 | 4,5×8×4,4 | LMF/K/H10UU |
| 21 | 0 | 30 | -0.2 | 42 | 0 | 6 | 32 | 32 | 27 | 32 | - | 12 | 4,5×8×4,4 | LMF/K/H12UU | |
| 23 | -13 | 32 | | 43 | | 6 | 33 | 34 | 29 | 33 | - | - | 12 | 4,5×8×4,4 | LMF/K/H13UU |
| 28 | | 37 | | 48 | | 6 | 38 | 37 | 34 | 31 | 22 | 12 | 12 | 4,5×8×4,4 | LMF/K/H16UU |
| 32 | | 42 | | 54 | | 8 | 43 | 42 | 38 | 36 | 24 | 15 | 15 | 5,5×9,5×5,4 | LMF/K/H20UU |
| 40 | 0 | 59 | -0.3 | 62 | -0.3 | 8 | 51 | 50 | 46 | 40 | 32 | 15 | 5,5×9,5×5,4 | LMF/K/H25UU | |
| 45 | -16 | 64 | | 74 | | 10 | 60 | 58 | 51 | 49 | 35 | 15 | 15 | 6,6×11×6,5 | LMF/K/H30UU |
| 52 | | 70 | | 82 | | 10 | 67 | 64 | - | - | - | 20 | 20 | 6,6×11×6,5 | LMF/K/H35UU |
| 60 | 0 | 80 | | 96 | | 13 | 78 | 75 | - | - | - | 20 | 20 | 9×14×8,6 | LMF/K/H40UU |
| 80 | -19 | 100 | 116 | 13 | 98 | 92 | - | - | - | 20 | 20 | 9×14×8,6 | LMF/K/H50UU | | |
| 90 | 0 | 110 | 134 | 18 | 112 | 106 | - | - | - | 25 | 25 | 11×17,5×10,8 | LMF/K/H60UU | | |

1N \approx 0.102kgf