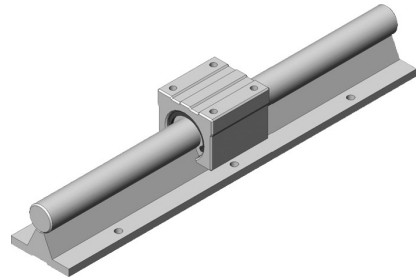
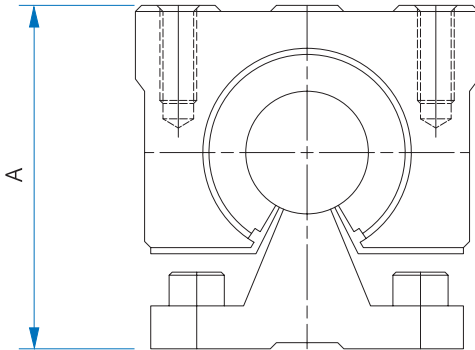


## Slide Rail unit

Slide Rail Unit is consist of open type Block and Shaft with taps and Shaft support rail



- Assembly hight. A

Shaft	Shaft support rail		S-ST ST	S-STU STU
	Open type			
16	SHO 16 UU		45	47
	CSO 16 UU			
20	SHO 20 UU		50	54
	CSO 20 UU			
25	SHO 25 UU		60	63
	CSO 25 UU			
30	SHO 30 UU		70	76
	CSO 30 UU			
40	SHO 40 UU		90	97
	CSO 40 UU			