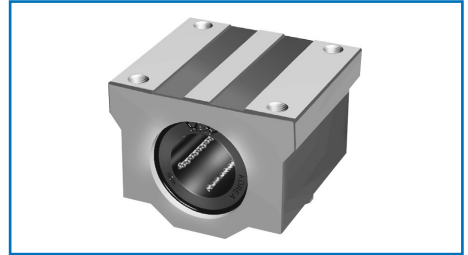
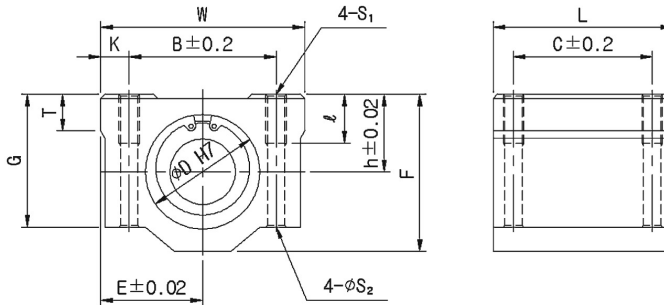


SH type

Asian Super Ball Bushing Block



Closed type(with 1pc of SB)



Unit : mm

| Part No. | Dimensions | | | | | | | | Mounting Dimensions | | | | | Shaft d | Basic Load Ratings | | weight (g) | |
|----------|------------|----|----|-----|-----|------|------|----|---------------------|----|----|----------------|----------------|------------|--------------------|------------------|---------------|--------------------|
| | D | h | E | W | L | F | G | T | B | C | K | S ₁ | S ₂ | | ℓ | dyn. C (N) | | stat. Co (N) |
| SH 16UU | 28 | 19 | 25 | 50 | 44 | 38.5 | 32.5 | 9 | 36 | 34 | 7 | M5 | 4.3 | 12 | 16 | 1225 | 637 | 148 |
| SH 20UU | 32 | 21 | 27 | 54 | 50 | 41 | 35 | 11 | 40 | 40 | 7 | M6 | 5.2 | 12 | 20 | 2303 | 1225 | 198 |
| SH 25UU | 40 | 26 | 38 | 76 | 67 | 51.5 | 42 | 12 | 54 | 50 | 11 | M8 | 7 | 18 | 25 | 4312 | 2058 | 472 |
| SH 30UU | 45 | 30 | 39 | 78 | 72 | 59.5 | 49 | 15 | 58 | 58 | 10 | M8 | 7 | 18 | 30 | 4802 | 2548 | 589 |
| SH 40UU | 60 | 40 | 51 | 102 | 90 | 78 | 62 | 20 | 80 | 60 | 11 | M10 | 8.7 | 25 | 40 | 9310 | 4312 | 1225 |
| SH 50UU | 80 | 52 | 61 | 122 | 110 | 102 | 80 | 25 | 100 | 80 | 11 | M10 | 8.7 | 25 | 50 | 13132 | 6468 | 2420 |

1N ≒ 0.102kgf