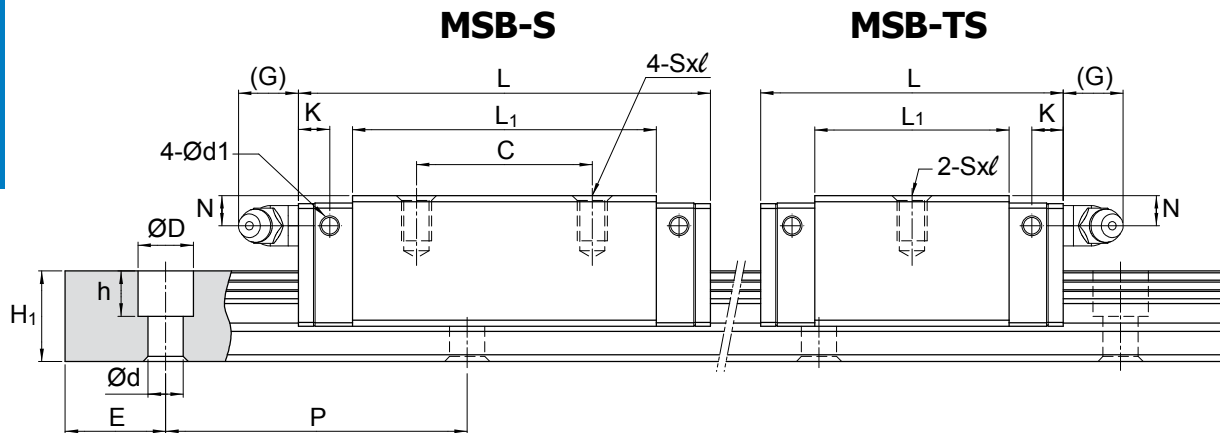


# Dimensions of MSB-TS / MSB-S



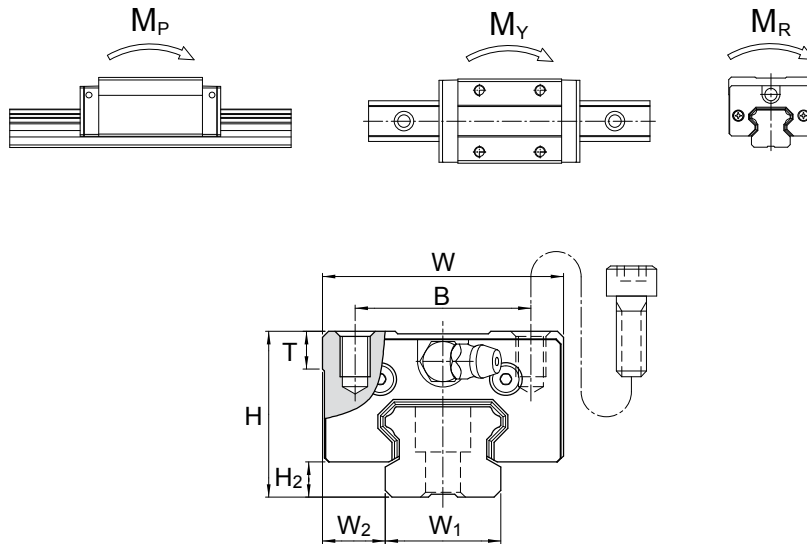
Unit: mm

Model No.	External dimension					Carriage dimension										Grease Nipple
	Height H	Width W	Length L	$W_2$	$H_2$	B	C	$S \times l$	$L_1$	T	N	G	K	$d_1$		
MSB 15 TS MSB 15 S	24	34	40 57	9.5	4.5	26	- 26	M4×6	23.5 40.5	6	5.5	5.5	5.1	3.3	G-M4	
MSB 20 TS MSB 20 S	28	42	48 67	11	6	32	- 32	M5×7	29 48	6	5.5	12	5.9	3.3	G-M6	
MSB 25 TS MSB 25 S	33	48	60.2 82	12.5	7	35	- 35	M6×9	38.7 60.5	8	6	12	6.3	3.3	G-M6	
MSB 30 TS MSB 30 S	42	60	68 96.7	16	9.5	40	- 40	M8×12	43.3 72	8	8	12	6.3	3.3	G-M6	
MSB 35 TS MSB 35 S MSB 35 LS	48	70	78 112 137.5	18	9.5	50	- 50 72	M8×12	46 80 105.5	12.5	8.5	11.5	9.8	3.3	G-M6	

Note: Rail mounting holes for M3 (6x4.5x3.5) and M4 (7.5x5.3x4.5) are available for MSB15 rail. The codes of rail type are MSB15R for M3 mounting holes, and MSB15U for M4 mounting holes.

Note: The basic dynamic load rating C of ball type is based on the 50 km for nominal life. The conversion between C for 50 km and  $C_{100}$  for 100 km is  $C=1.26 \times C_{100}$ .

Note\*: Single: Single carriage/ Double: Double carriages closely contacting with each other.



Unit: mm

Model No.	Rail dimension					Basic load rating		Static moment rating					Weight	
	Width W <sub>1</sub>	Height H <sub>1</sub>	Pitch P	E std.	D × h × d	Dynamic C kN	Static C <sub>0</sub> kN	M <sub>P</sub> kN-m		M <sub>Y</sub> kN-m		M <sub>R</sub> kN-m	Carriage kg	Rail kg/m
								Single*	Double*	Single*	Double*			
<b>MSB 15 TS</b> <b>MSB 15 S</b>	15	12.5	60	20	6×4.5×3.5 (7.5×5.3×4.5)	6.7 10.0	9.6 16.9	0.04 0.10	0.26 0.61	0.04 0.10	0.26 0.61	0.07 0.13	0.09 0.16	1.2
<b>MSB 20 TS</b> <b>MSB 20 S</b>	20	15	60	20	9.5×8.5×6	9.7 13.9	14.2 23.6	0.07 0.18	0.44 0.97	0.07 0.18	0.44 0.97	0.14 0.24	0.16 0.26	2
<b>MSB 25 TS</b> <b>MSB 25 S</b>	23	18	60	20	11×9×7	15.6 22.3	22.1 36.9	0.13 0.35	0.91 1.87	0.13 0.35	0.91 1.87	0.26 0.43	0.29 0.45	3
<b>MSB 30 TS</b> <b>MSB 30 S</b>	28	23	80	20	11×9×7	23.1 32.9	31.8 53.1	0.23 0.60	1.39 3.15	0.23 0.60	1.39 3.15	0.45 0.74	0.52 0.82	4.4
<b>MSB 35 TS</b> <b>MSB 35 S</b> <b>MSB 35 LS</b>	34	27.5	80	20	14×12×9	35.7 52.0 63.6	44.0 75.5 100.6	0.34 0.93 1.60	2.81 5.47 8.67	0.34 0.93 1.60	2.81 5.47 8.67	0.75 1.28 1.67	0.81 1.13 1.49	6.2