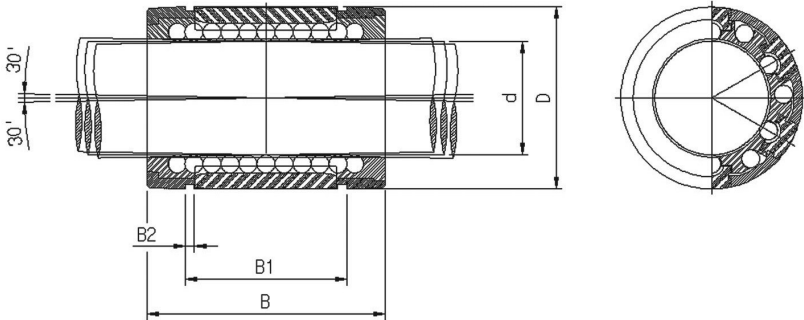


SB type

Asian Super Ball Bushing



Closed type



Unit : mm

Part No.			Dimensions					Shaft d	No. Ball rows	Basic Load Ratings		weight (g)
Without Seal	With One Seal	With Two Seal	D	D ₁	B	B ₁	B ₂			dyn. C (N)	stat. Co (N)	
SB 16	SB 16U	SB 16UU	28	27	37	26.5	1.6	16	5	1225	637	34
SB 20	SB 20U	SB 20UU	32	30.5	42	30.5	1.6	20	6	2303	1225	58
SB 25	SB 25U	SB 25UU	40	38	59	41	1.85	25	6	4312	2058	120
SB 30	SB 30U	SB 30UU	45	43	64	44.5	1.85	30	6	4802	2548	148
SB 40	SB 40U	SB 40UU	60	57	80	60.5	2.1	40	6	9310	4312	314

1N ≅ 0.102kgf